



Superior equipment you can trust

The Low-Profile Powerhouse



Liquid Vacuum
Trucks
R247V-4000



R247V-4000

The R247V-4000 is a full-featured vacuum truck in a compact package. This vacuum unit is ideal for projects and clients located in residential and commercial buildings. With a 247 CFM vane pump, it's suitable for sensitive areas.

KEY FEATURES

DRIVETRAIN

4x2

VACUUM PUMP

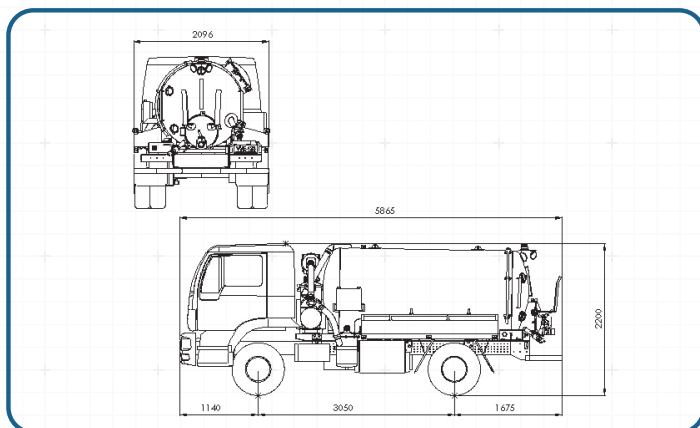
247 CFM

TANK CAPACITY

4,000L

DRIVE HEIGHT

2200cm (2.20m)



* This image is for illustration purposes only. Vorstrom reserves the right to make any changes as necessary. Dimensions may vary depending on cab chassis used.

SPECIFICATIONS

- ⚙️ 247 CFM Moro Vane vacuum pump hydraulic drive
- ⚙️ 6mm steel barrel
- ⚙️ 25-inch rear manway mounted bottom centre
- ⚙️ Integrate 4-way valve
- ⚙️ Final filter
- ⚙️ Low profile primary shut off 3-inch
- ⚙️ Secondary shutoff 3-inch
- ⚙️ Oil catch muffler 3-inch
- ⚙️ 75mm rear mounted inlet fitter with 3-inch brass lever gate valve with camlock fitting and lockable dust cap
- ⚙️ 100mm rear mounted discharge fitted with 4-inch brass lever gate valve with camlock fitting and lockable dust cap
- ⚙️ 20-inch washout manway side mounted into tank
- ⚙️ 3 x rear mounted sight level glasses
- ⚙️ Rear hose supports
- ⚙️ Steel toolbox
- ⚙️ Bunded aluminium checker hose trays mounted both sides of tank
- ⚙️ Vacuum relief valve
- ⚙️ Pressure relief valve
- ⚙️ Vacuum and pressure gauge
- ⚙️ Rear mounted LED work lights
- ⚙️ Rear mounted flashing beacon
- ⚙️ Sand blasted, undercoated, and painted in a quality 2-pack finish.
- ⚙️ Operators' manual and maintenance manuals supplied
- ⚙️ Option available to reduce below 2100mm

CONTACT US: 1800 618 963 / SALES@VORSTROM.COM.AU