



Superior equipment you can trust

The Bulk Industrial Hauler



**Industrial
Vacuum Trucks**
TRD940-24000L



TRD940-24000L

Vorstrom's TRD940-24000L is manufactured with a 940CFM vacuum blower, 24000 litre tank and full opening rear door. Perfect for all your industrial liquids in bulk quantities such as wash bays, drill muds and much more. Runs stand-alone and hydraulic driven off diesel engine with full hydraulic door locks, tipping ram, vacuum pump and water pump. Designed with a rear door and tank tipping prop for servicing.

KEY FEATURES

WATER TANK

**1,200L, 2,400L
or 3,800L**

VACUUM PUMP

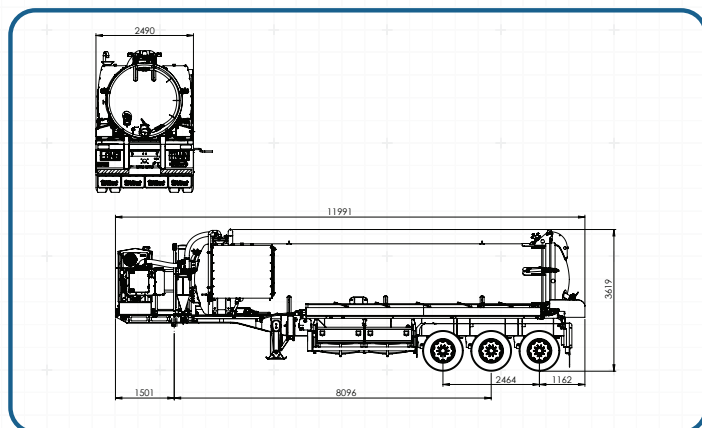
940 CFM

TANK CAPACITY

24,000L

VACUUM TYPE

Blower



* This image is for illustration purposes only. Vorstrom reserves the right to make any changes as necessary. Dimensions may vary depending on cab chassis used.

SPECIFICATIONS

- ⚙️ 24,000L barrel
- ⚙️ Mounted on an Australian-made tri-axle trailer
- ⚙️ 8mm barrel and torispherical ends
- ⚙️ 500mm front wash-out hatch with safety platform and fold-away ladder
- ⚙️ 940 cfm tri-lobe blower vacuum pump with hydraulic drive
- ⚙️ Diesel engine with watchdog and hour meter
- ⚙️ 100mm cyclone and primary shut-offs, pressure relief valves, and vacuum/pressure gauge
- ⚙️ Hydraulic controls for vacuum pump, tank tipping, rear door operation, and pressure cleaner
- ⚙️ 100mm top load and 150mm rear discharge
- ⚙️ Full-opening rear door with 4 over-centre locking clamps
- ⚙️ Front-mounted hydraulic hoist for tipping
- ⚙️ Aluminium hose trays with hold-down straps
- ⚙️ Water pods with pressure cleaner, 30m high-pressure hose reel and lance
- ⚙️ Handwash station supplied from pods
- ⚙️ LED work lights and rear-mounted amber flashing light
- ⚙️ Tank sandblasted and coated with 2K undercoat and topcoat
- ⚙️ Internal tank lined with industrial-grade abrasion-resistant coating
- ⚙️ Operator manual and maintenance schedule included

CONTACT US: 1800 618 963 / SALES@VORSTROM.COM.AU